

ALL NEW  
**RENAULT AUSTRAL**  
**E-TECH FULL HYBRID**  
200 HP



April 2023

# a new hybrid vision of the SUV

All new Renault Austral E-Tech full hybrid is changing the rules of the game: up to 80% electric driving in town<sup>(1)</sup>, esprit Alpine versions, 4Control advanced system<sup>(2)</sup> with 4-wheel steering, 774 cm<sup>2</sup> openR screens, 210 cm<sup>2</sup> head-up display and Google built-in services.



An innovative and immersive experience awaits you on board all new Renault Austral E-Tech full hybrid.

**200hp E-Tech full hybrid engine**

**up to 30 advanced driver-assistance systems<sup>(2)</sup>**

**984 cm<sup>2</sup> of openR screens and head-up display**

**4Control advanced technology<sup>(2)</sup>**

**555L of boot capacity<sup>(3)</sup>**

**esprit Alpine in world debut**

(1) depending on factors such as starting charge of the battery, distance driven, speed, accessories fitted after registration, weather conditions, driving styles and vehicle load.

(2) standard on iconic esprit Alpine version.

(3) according to VDA protocol.

# **interactive menu**

**01. design**

**02. driving pleasure**

**03. driving experience**

**04. multimedia**

**05. interior**

**06. advanced driver-assistance  
systems**

**07. customisation**

# athletic design

**Wide shoulders and a muscular bonnet for an intensely proportioned design. The glossy black\* roof and contrasting side protection elements\* reinforce the unique silhouette.**



**Arising from the historic collaboration between Renault and Alpine design teams, esprit Alpine asserts its dynamic character: 20" daytona black diamond-cut wheels, exclusive matte shadow grey colour, matte grey F1 blade at the front, glossy black roof, flush roof bars and distinctive badges.**

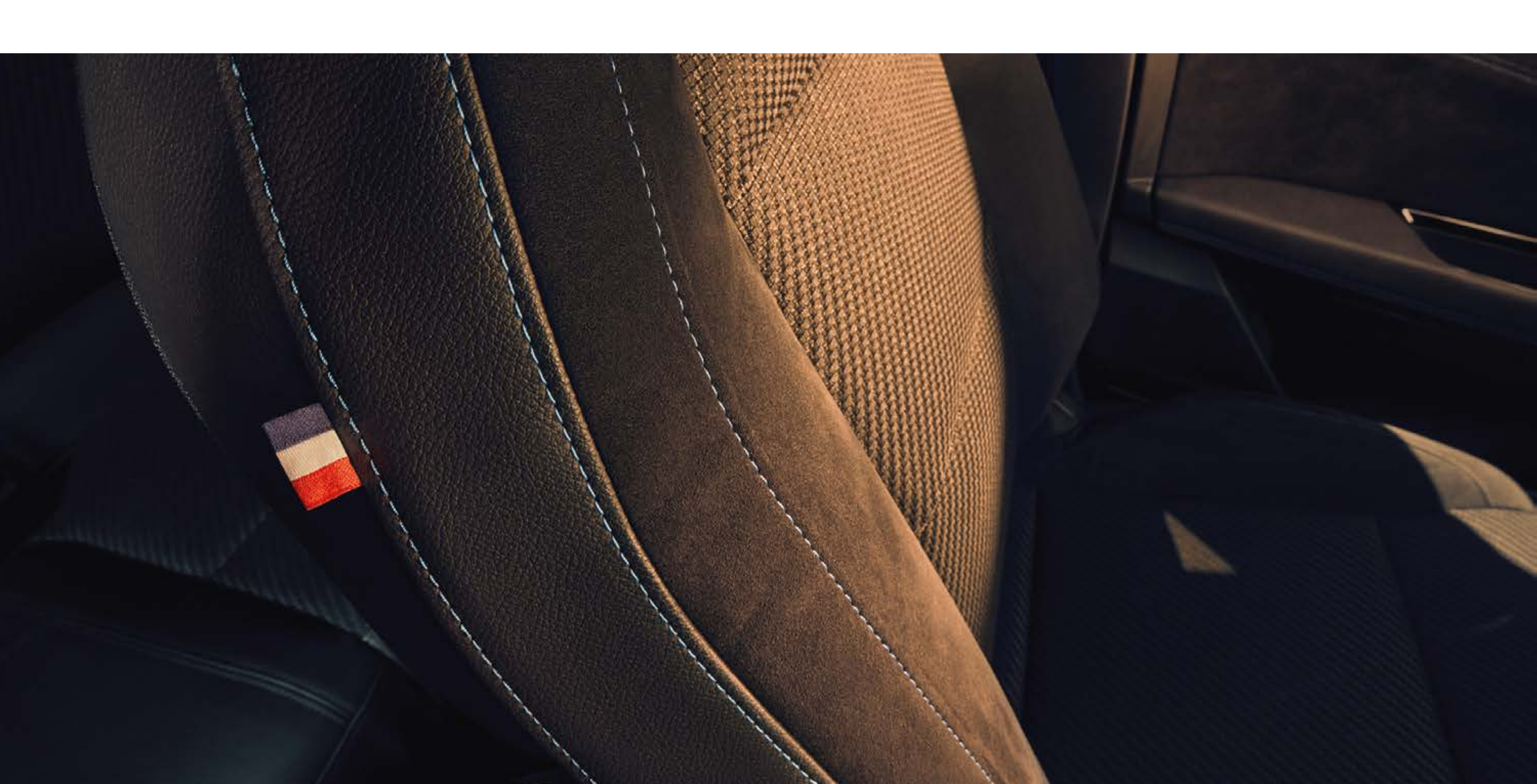


20" daytona black diamond-cut alloy wheels



esprit Alpine badge

**There is also an Alpine touch in the passenger compartment: the Alcantara® fabric upholstery is enhanced with blue top-stitching, the headrests feature exclusive embroidered motifs, and the aluminium pedals energise the cockpit. As a final touch, the steering wheel sports red, white and blue stitching.**



\* depending on version.

**build yours →**

## 02. driving pleasure

# the best of hybrid technology

E-Tech  
**full hybrid**

up to  
**80%**  
electric driving  
in town<sup>(1)</sup>

up to  
**70mph**  
in electric mode<sup>(1)</sup>

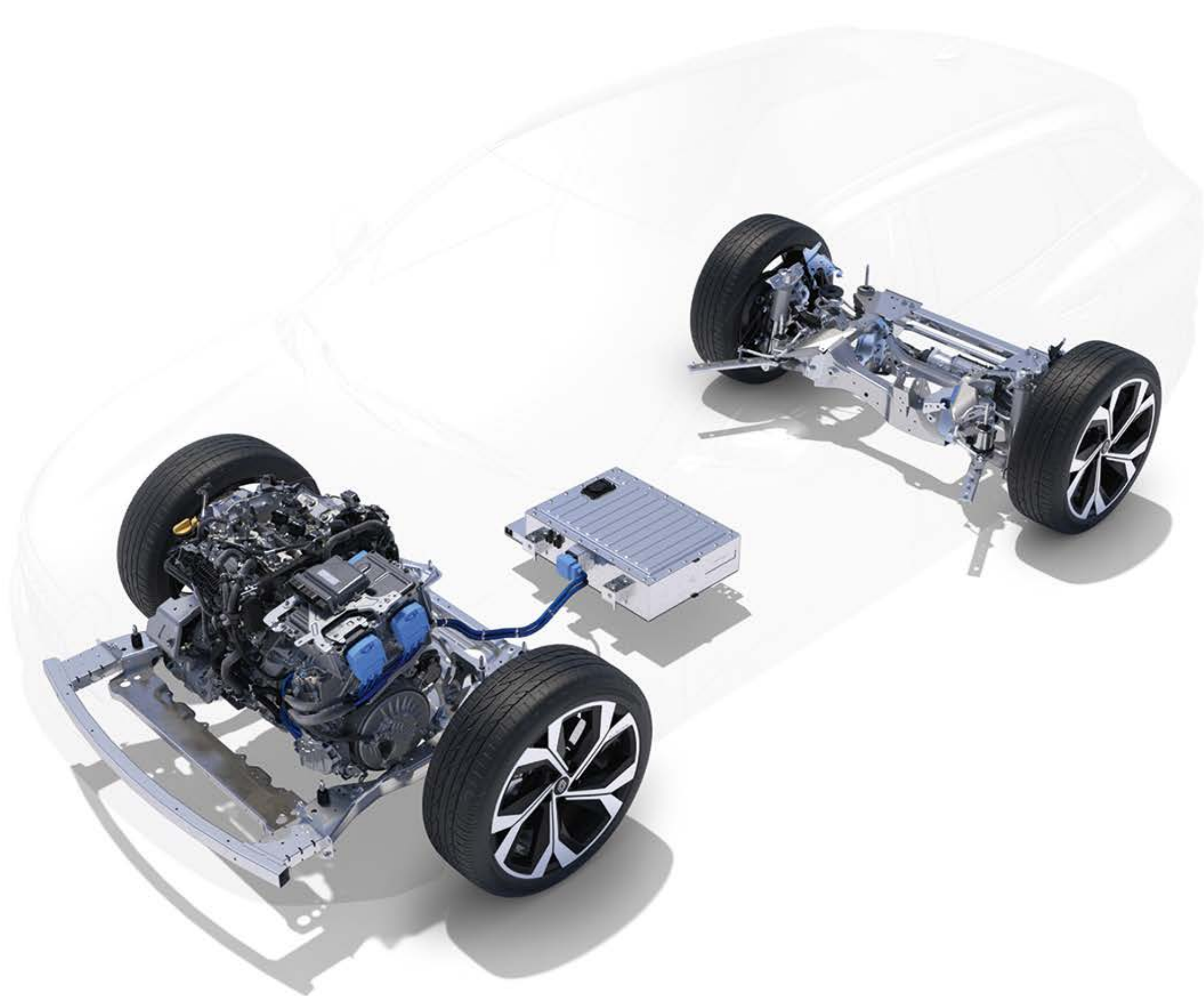
E-Tech  
**200 hp**

up to  
**60.1mpg**  
fuel consumption<sup>(2)</sup>

from  
**105 g/km**  
CO<sub>2</sub> emissions<sup>(2)</sup>



**Discover our 100% hybrid range with the E-tech full hybrid engine: one of the most efficient in its category.**



### **fuel savings of up to 40%<sup>(3)</sup> with the E-Tech full hybrid engine**

In town, make up to 80% of journeys in electric mode<sup>(1)</sup>.  
The battery recharges during deceleration and braking:  
no need to plug in to recharge.

	<b>E-Tech full hybrid 200hp</b>
<b>technology</b>	400V battery + 2 electric engines + 1 internal combustion engine
<b>reduced fuel consumption<sup>(2)(3)</sup></b>	up to 40%
<b>fuel consumption<sup>(3)</sup></b>	from 60.1mpg
<b>CO<sub>2</sub> emissions<sup>(3)</sup></b>	from 105 g/km
<b>energy recovery via deceleration and braking</b>	yes
<b>management of energy recovery level</b>	yes
<b>electric assistance to the internal combustion engine</b>	yes
<b>electric driving in town<sup>(3)</sup></b>	up to 80% electric driving in cities <sup>(1)</sup>

(1) depending on factors such as starting charge of the battery, distance driven, speed, accessories fitted after registration, weather conditions, driving styles and vehicle load.

(2) values type-approved according to version / in accordance with WLTP protocol / UTAC source / July 2022.

(3) for an E-Tech full hybrid engine compared to a mild hybrid auto engine, according to WLTP City protocol / UTAC & IDIADA source / September 2022.

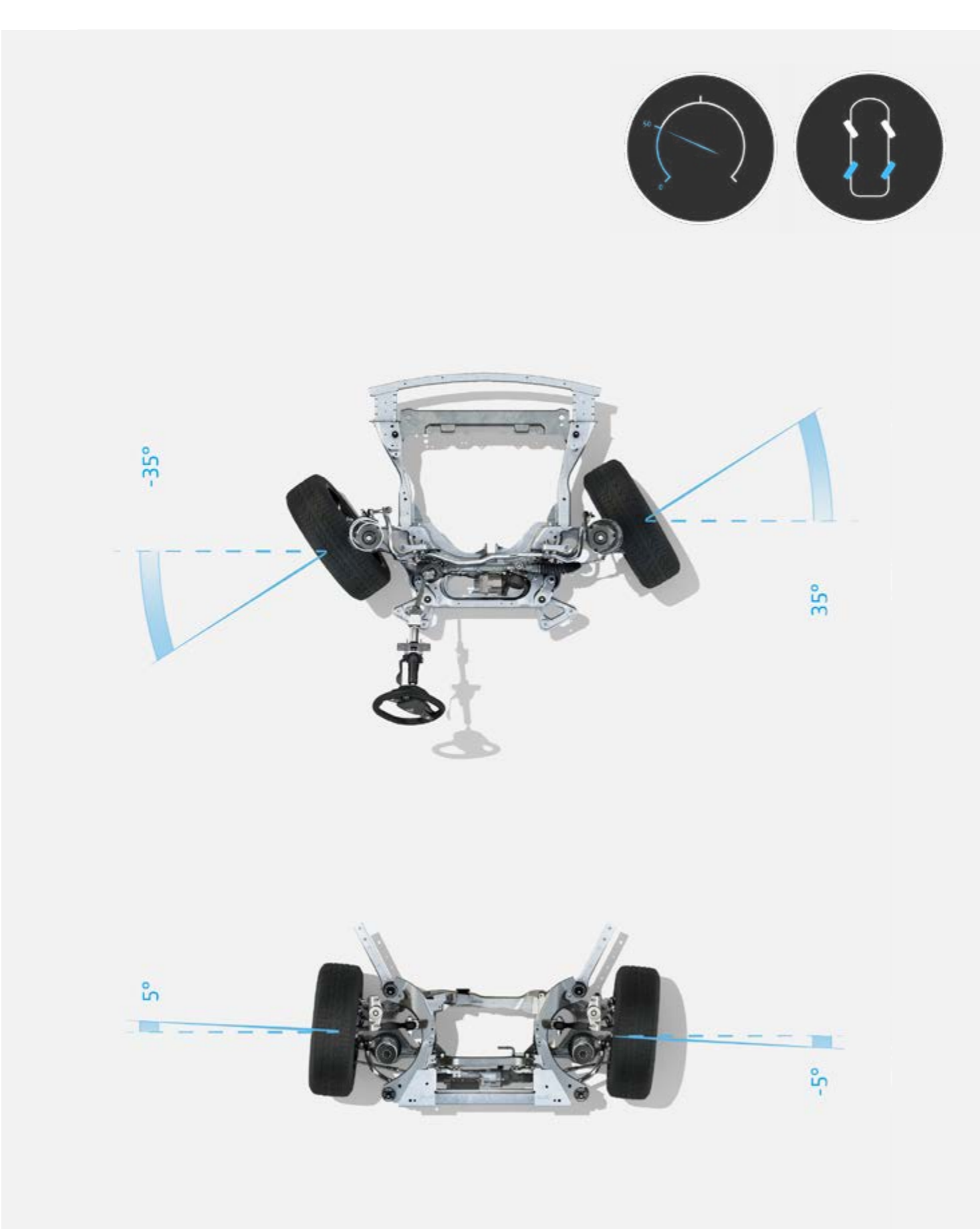
**build yours →**

# 4Control advanced\*

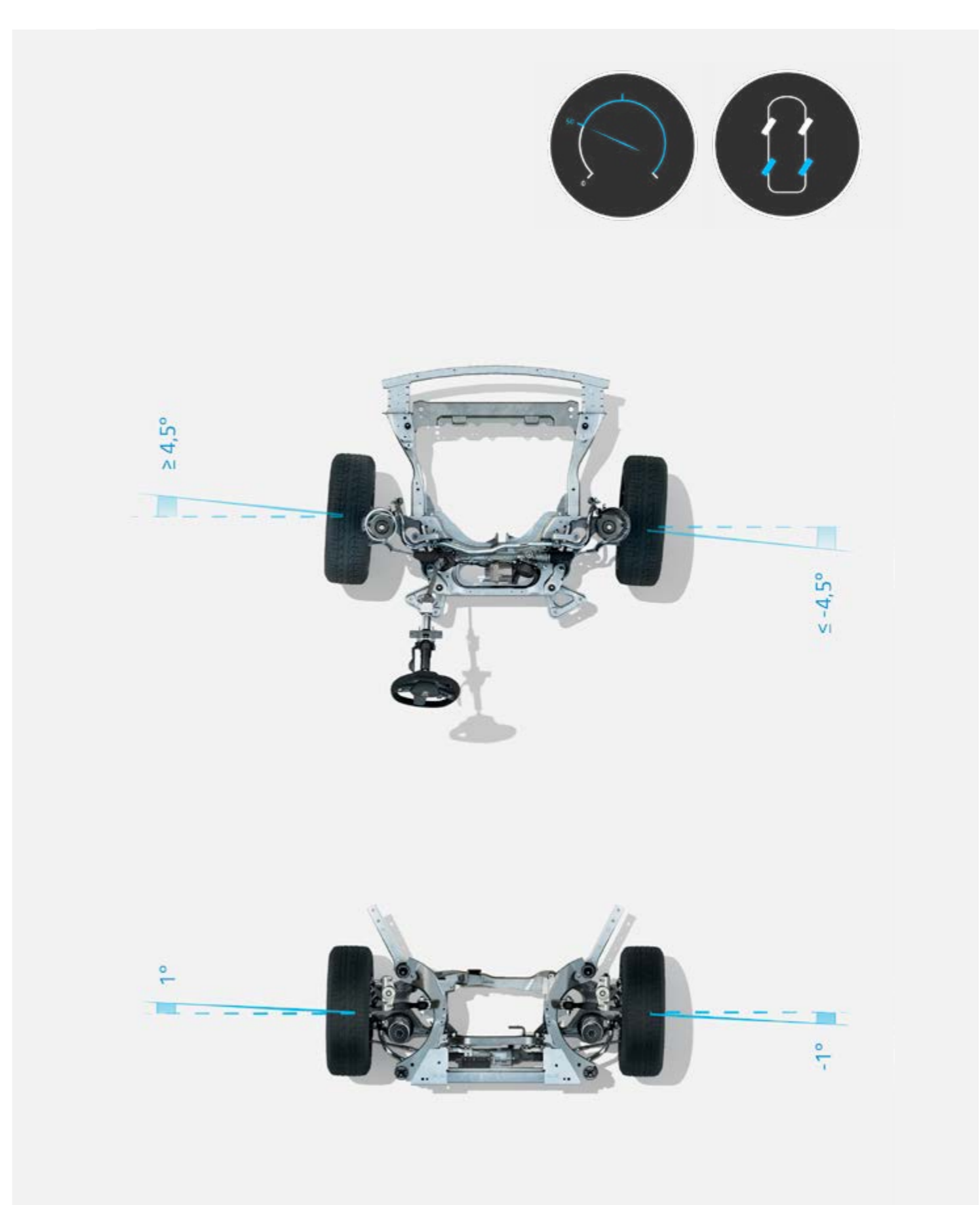
The new 4Control advanced\* system with 4-wheel steering makes driving more accurate and safe.



The turning circle of 10.1 m is comparable with that of a city car.



up to 30mph, the rear wheels turn in the opposite direction to the front wheels to reduce the turning circle



above 30mph, the rear wheels turn in the same direction as the front wheels to improve road handling and safety

\* standard on iconic esprit Alpine version.

**build yours →**

# on-board technology

To optimise driving experience, the controls are oriented towards the driver and the most important information is directly in front of the driver.



Don't take your eyes off the road: the new 210 cm<sup>2</sup> head-up display projects essential information on to the windscreen.



find your speed, driver-assistance systems and navigation on the head-up display

Engine response and sound, steering firmness, ambient lighting and driver screen configuration. With multi-sense, customise your vehicle with 4 driving modes available for a unique driving experience.



sport mode: intense driving pleasure



eco mode: optimised fuel consumption



perso mode: a fully customisable driving experience



comfort mode: combines safety and driving comfort

# Harman Kardon\* high-fidelity sound

Enjoy an immersive sound experience with the new and exclusive Harman Kardon\* system with a powerful 485 watt amplifier that delivers through 12 speakers positioned around the passenger compartment.



2 tweeters on the sides of the instrument panel, 2 woofers in the front door panels and 2 in the rear door panels, 2 surround speakers, 1 front central unit, 2 tweeters and 1 subwoofer in the boot

\* standard on iconic esprit Alpine version.

[build yours →](#)



# openR link multimedia system with Google built-in

The openR link multimedia system and its 774 cm<sup>2</sup> of digital display offer intuitive technology that incorporates the best of My Renault and Google connected services<sup>(1)</sup>.



Amazon Music, Sybel, Vivaldi... Up to 35 applications<sup>(2)</sup> with exclusive content are available via Google Play<sup>(3)</sup>.



## amazon music

Take control of your music and entertainment experience on board with **Amazon Music**, included in your Amazon Prime subscription.

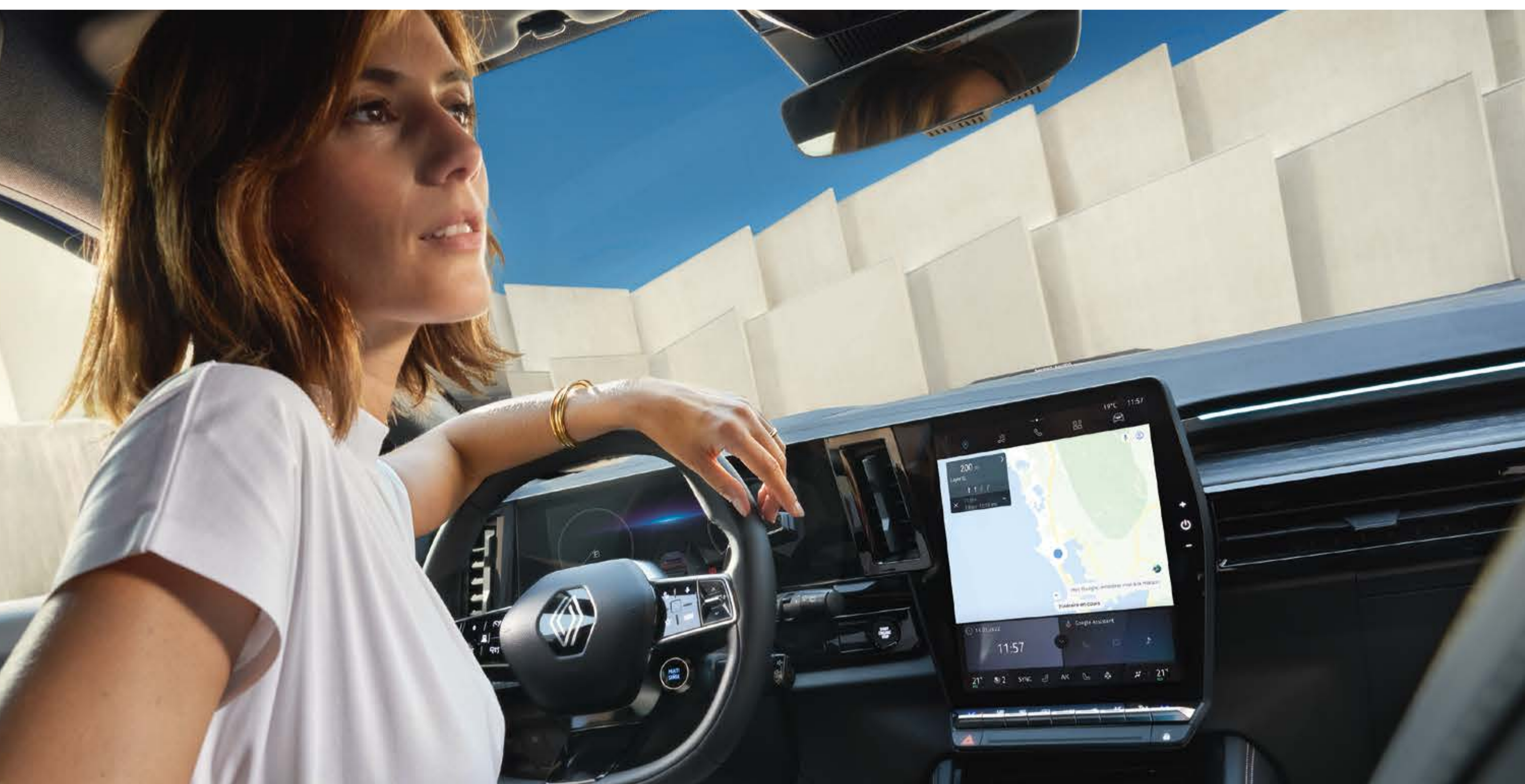
## Sybel

**Sybel** is a unique platform to find your favourite podcasts, and discover exclusive original creations, audio books, new documentaries, and more.



**Vivaldi browser** is an efficient, fast and privacy-friendly Web browser. Allowing you to watch video content on-board when stationary.

**Talk to Google to plan a journey, change driving mode, or set the temperature. The voice assistant<sup>(1)</sup> is there for you with a simple "Hey Google" command.**



**Blocked road, new one-way street, temporary deviation...  
The Google Maps navigation system<sup>(1)</sup> ensures precise driving even in the event of network loss.**



(1) My Renault, Google Maps and Google Assistant connected services are provided free of charge for 5 years from the date of delivery of your vehicle.

(2) depending on country.

(3) use the applications downloaded from Google Play in your vehicle thanks to the 3 GB data package provided free of charge by Renault (valid for 6 months).

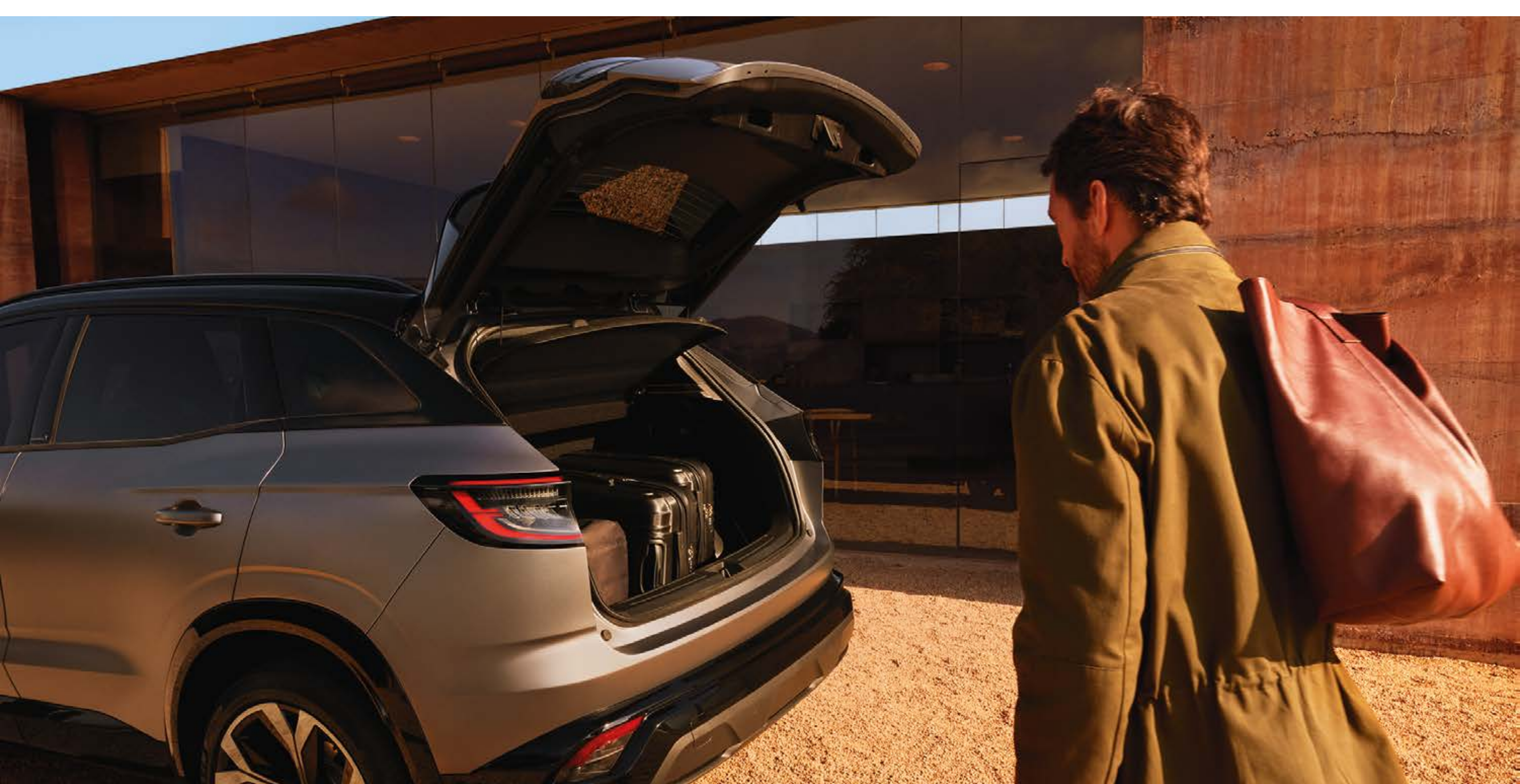
**build yours →**

## comfortable: modular layout

**A generous amount of legroom providing ultimate comfort.  
The rear bench slides up to 16cm, giving a larger boot when you need it.**



**Enjoy a boot volume of up to 555L<sup>(2)</sup>  
or 1,525L<sup>(2)</sup> by folding down  
the rear seats.**



benefit from an electric power boot opening for ultimate ease<sup>(1)</sup>

**An ergonomic and sliding hand-rest  
enables you to operate the large  
12" openR screen comfortably.**



wireless smartphone charger<sup>(1)</sup>

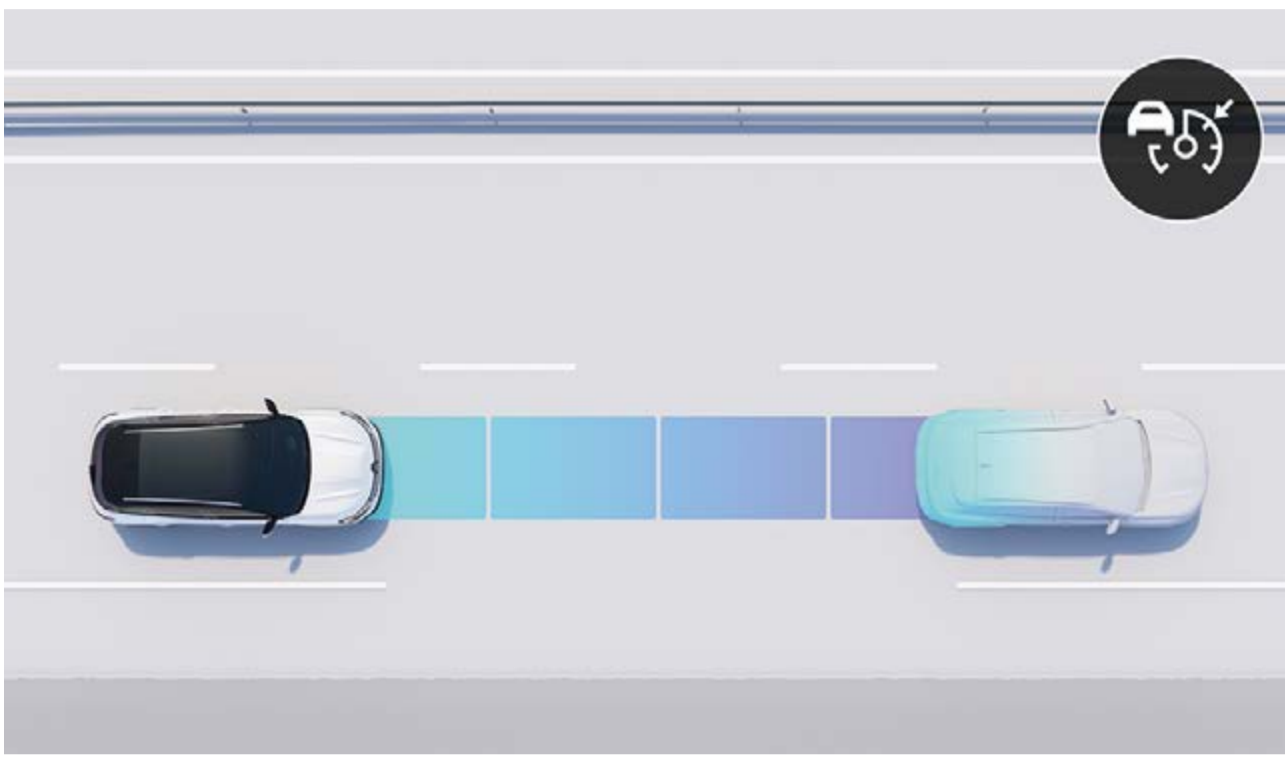
(1) standard on iconic esprit Alpine version.  
(2) according to VDA protocol.

**build yours →**

## 06. advanced driver-assistance systems

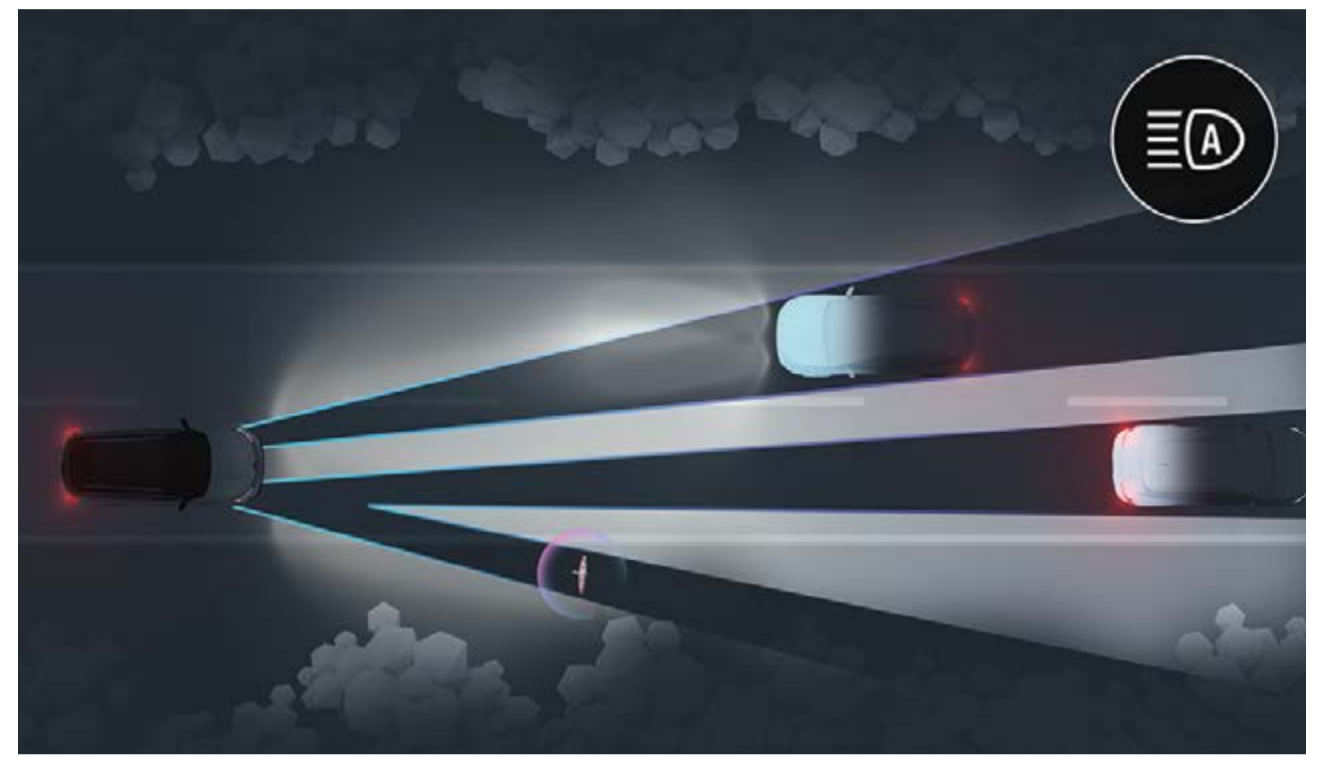
# up to 30 advanced driver-assistance systems

All new Renault Austral E-Tech full hybrid offers up to 30 advanced and innovative driver-assistance systems.



### adaptive cruise control

It maintains a safe distance between you and the vehicle in front by activating the brakes when the distance is too short and the accelerator when the road is clear again.



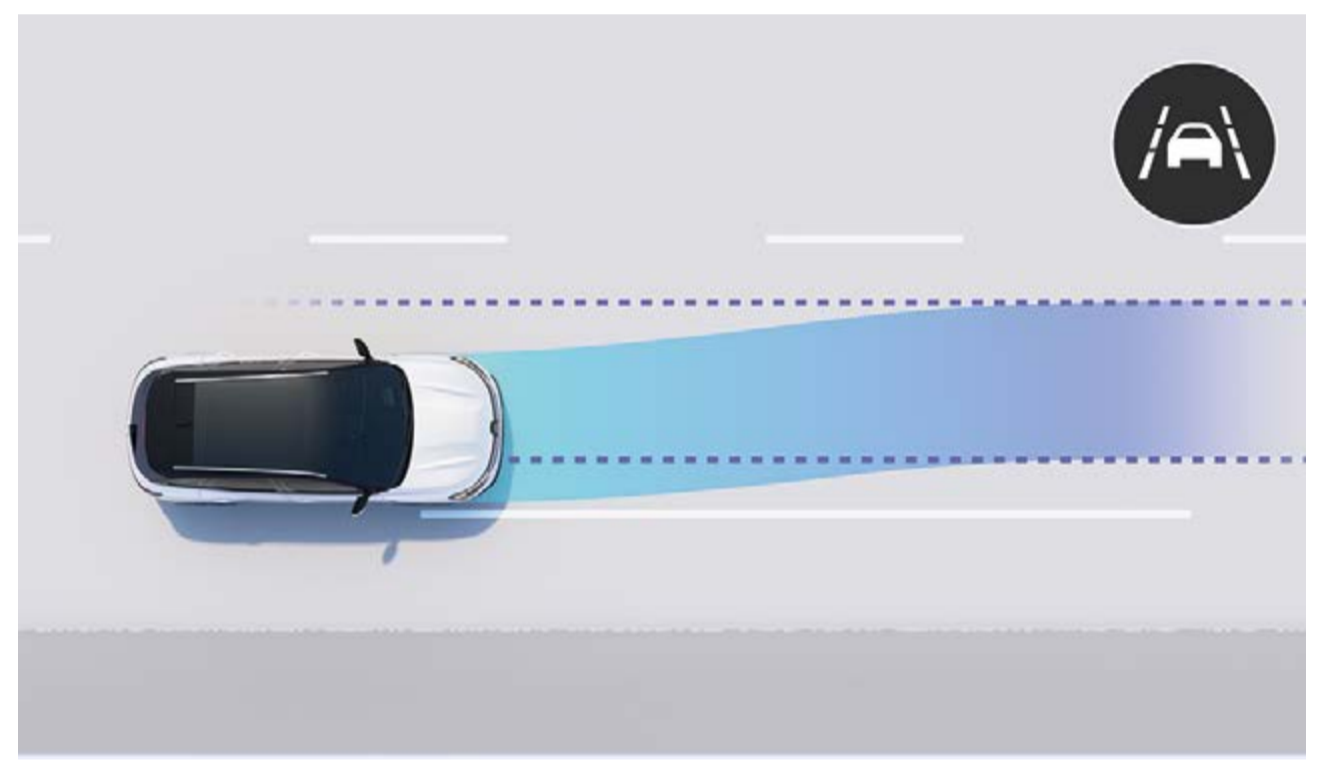
### Matrix Vision LED headlights

The system automatically adjusts the light beam shape to the traffic and weather conditions to avoid glare and optimise night vision.



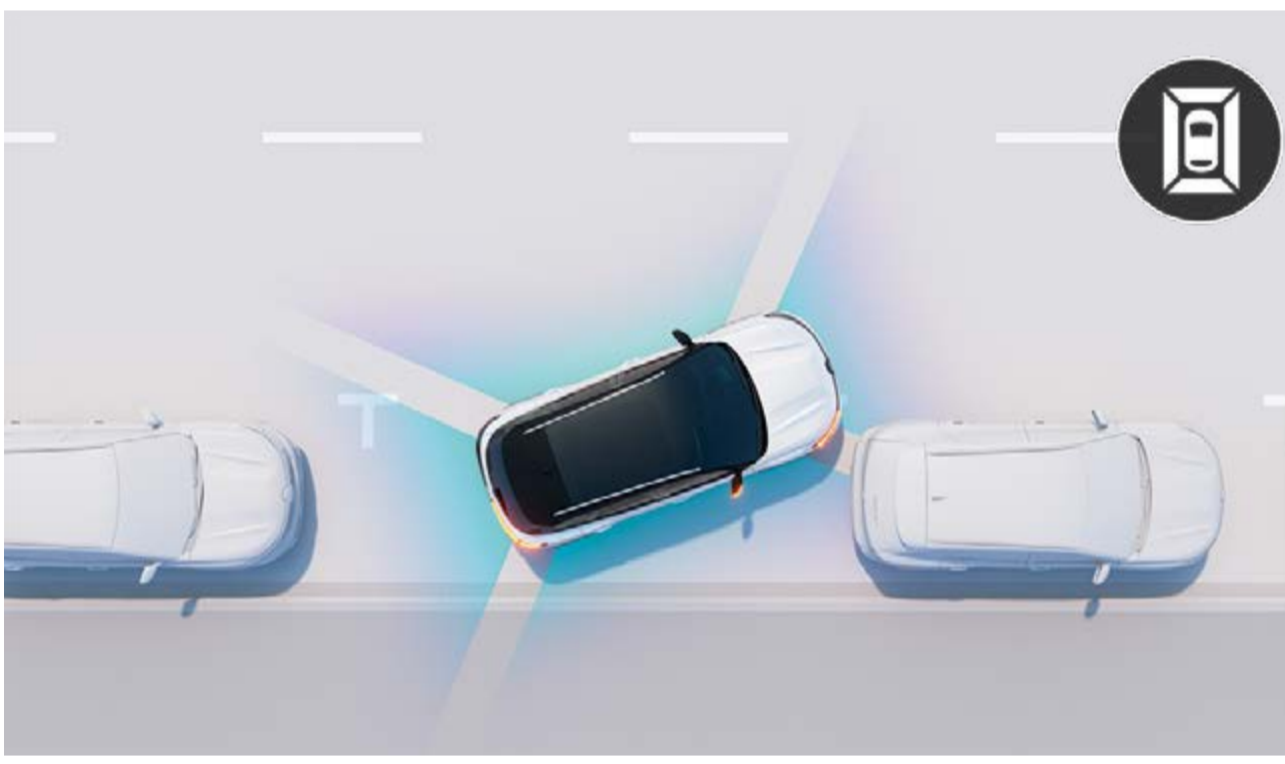
### emergency braking when reversing

This system detects obstacles at the rear and stops the vehicle automatically in the event of danger.



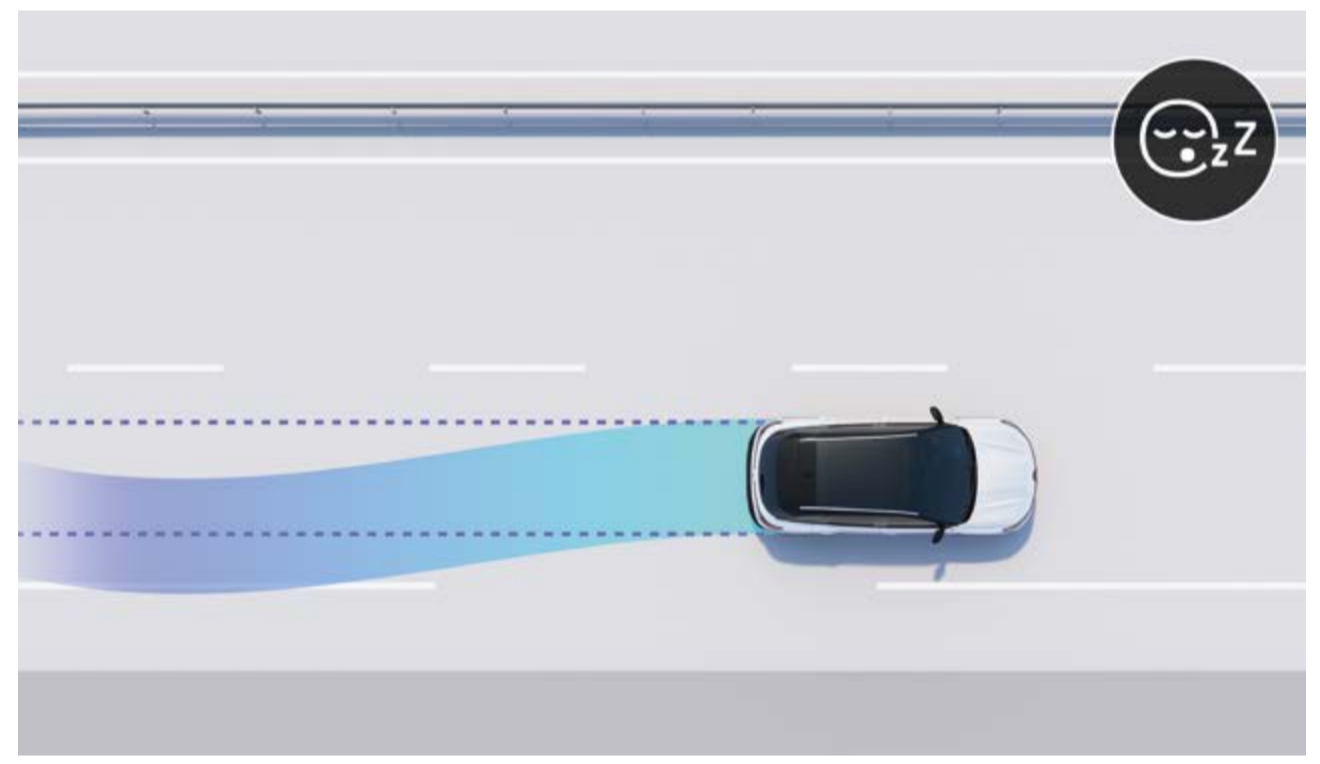
### lane keeping assist

This corrects the angle of the steering wheel, returning the vehicle to its lane unless you have indicated.



### 360° view 3D camera

4 cameras, whose images recreate the vehicle's direct environment 360° around it, allow you to perform your manoeuvres effortlessly.



### driver attention alert

This system warns the driver if fatigue is detected via an audible alert and a message on the dashboard, detection is based on analysis of the driver's reactions.

### driving

- active driver assist
- hill start assist
- 9.3" head-up display (210 cm<sup>2</sup>)
- safe stopping distance warning
- speed limiter
- cruise control
- adaptive cruise control

### parking

- rear parking sensors
- front parking sensors
- side parking sensors
- 360° view 3D camera
- rear view camera

### safety

- lane change warning
- lane departure warning
- lane keeping assist
- blind spot warning
- emergency brake assist with intersection function
- automatic emergency braking when reversing
- city/suburban automatic emergency braking with pedestrian/cyclist detection
- rear cross parking prevention
- lane departure prevention in the event of overtaking
- road sign recognition
- road sign recognition and speeding alert<sup>(1)</sup>
- driver fatigue detection alert

### lighting

- LED Matrix Vision headlights
- automatic main-beam/dipped headlights activation
- adaptive vision LED headlights (with integrated fog light function)

(1) included for 5 years

**build yours →**

## 07. customisation

# colours



**pearl white<sup>(1)</sup>**



**flame red<sup>(1)</sup>**



**diamond black<sup>(1)</sup>**



**shadow grey<sup>(1)</sup>**



**matte shadow grey**



**iron blue<sup>(1)</sup>**

(1) metallic paint

**build yours →**

## 07. customisation

# interior trims



### techno

- 19" komah black diamond-cut alloy wheels
- adaptive matrix LED vision
- Google built-in
- 9.3" head-up display



### techno esprit Alpine

- 20" daytona black diamond-cut alloy wheels
- heated & electric front driver & passenger seats
- electric power boot opening
- esprit Alpine styling
- heated steering wheel



### iconic esprit Alpine

- 360° around view camera
- panoramic sunroof
- 4Control advanced: 4-wheel steering
- Harman Kardon audio system

Google, Google Assistant, Google Play and Google Maps are trademarks of Google LLC.



**download the trims and equipment PDF (6 MB)**

## 07. customisation

# upholstery



leatherette & grey gradient fabric upholstery<sup>(1)</sup>



esprit Alpine carbon fabric & Alcantara upholstery with blue stitching<sup>(2)</sup>

(1) standard on techno.

(2) standard on techno esprit Alpine & iconic esprit Alpine.

# wheel rims



19" komah black diamond-cut alloy wheels<sup>(1)</sup>



20" daytona black diamond-cut alloy wheels<sup>(2)</sup>

(1) standard on techno.

(2) standard on techno esprit Alpine & iconic esprit Alpine.

**build yours →**

# accessories



**customisation packs**

Add some style and flare by customising your vehicle's exterior trim with four colour packs: carbon effect, gold accents, light grey or satin metal grey.



**Renault nouvelR roof box**

Great for increasing your vehicle's load capacity or freeing up space on long journeys. The Renault nouvelR roof box is practical and locks shut for security. Choose from a capacity of 380 litres, 480 litres or 630 litres.



**retractable electric towbar**

The 100% electric retractable towbar is automatically deployed by simply pressing a button located in the boot. When not in use, it can be retracted in just a few seconds, hiding it from view until its next use.



**sidesteps**

Stylish and practical, emphasise your all new Renault Austral's look with these sidesteps. Enjoy easier access to the roof for loading or unloading and a helpful step into your vehicle.



**esprit Alpine textile floor mats**

Choose from a full range of mats to protect your vehicle's passenger compartment.

**build yours →**



## 07. customisation

# engine

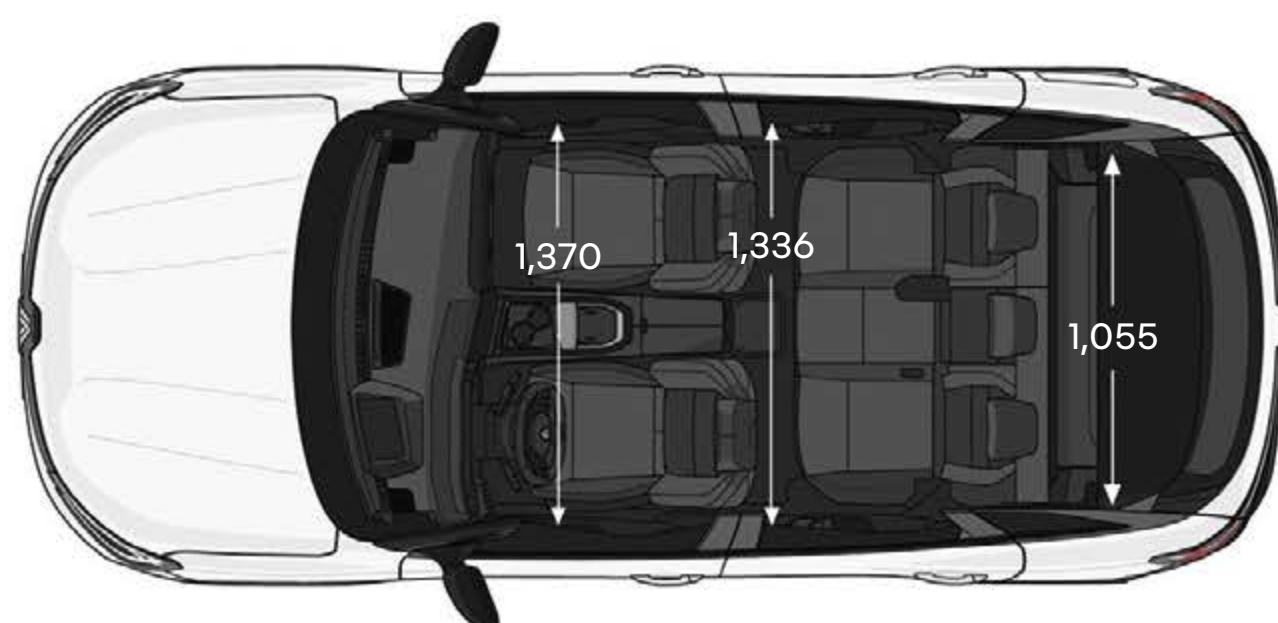
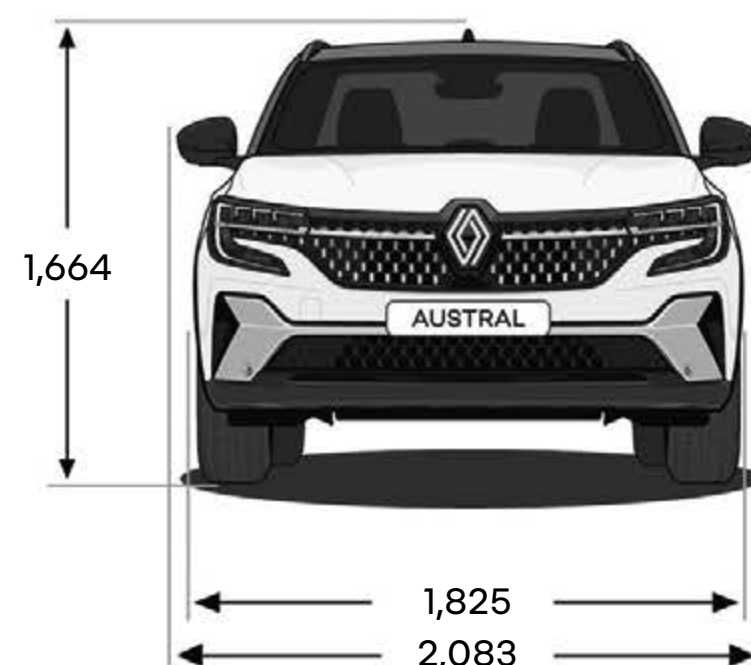
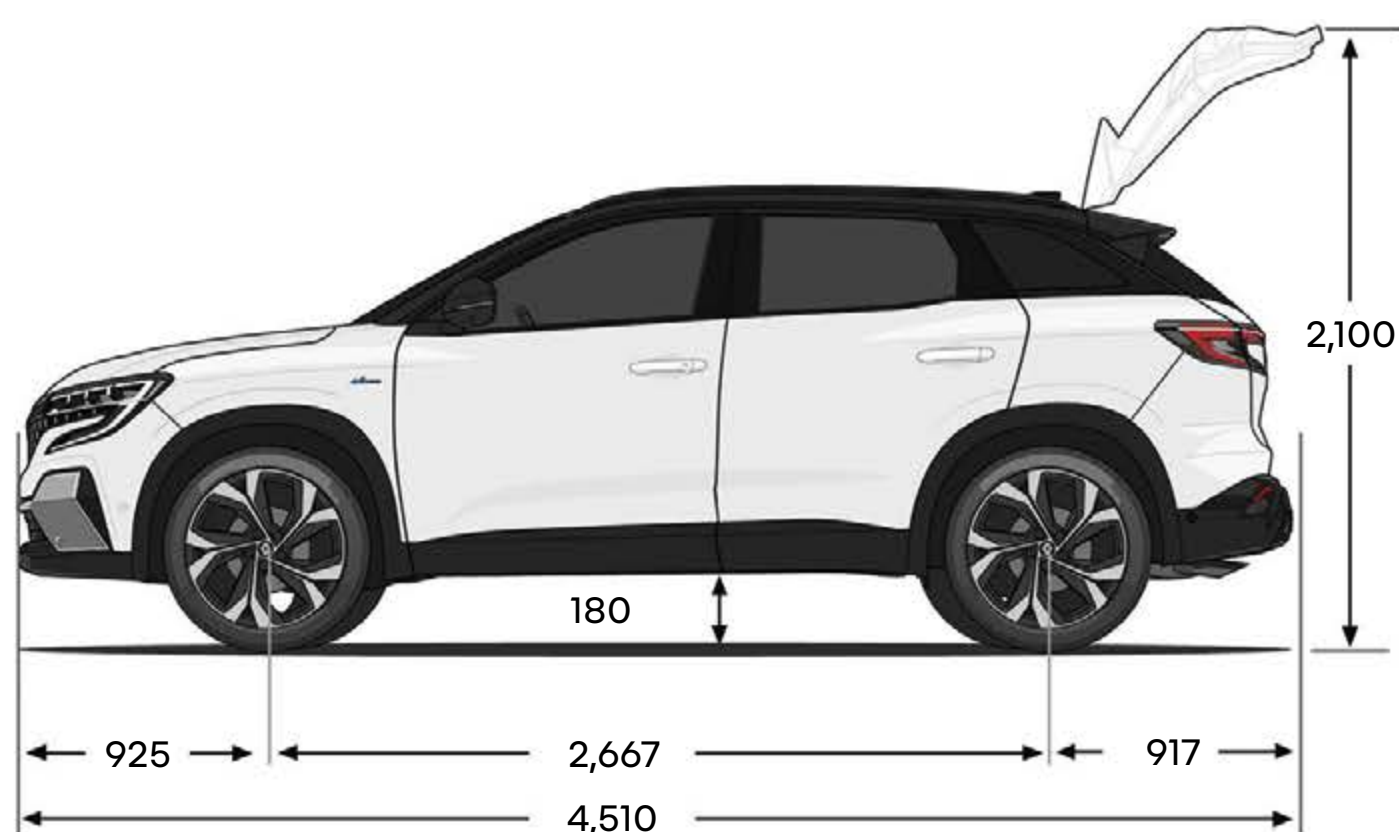
### E-Tech full hybrid 200 hp

engine	
powertrain	full hybrid + unleaded petrol (E10)
max. power kW / engine speed of (rpm)	96kW at 4,500 rpm
max. torque (Nm) / engine speed of (rpm)	205 Nm/1,750 rpm
battery type	lithium-ion
performance	
maximum speed (mph)	108
0-62mph (seconds)	8.4



**download the engine  
PDF (6MB)**

# dimensions & volumes



dimensions in (mm).

## boot volume (L)

with rear bench seat that can slide back 16 cm

max. with rear bench seat folded down

## E-Tech full hybrid

up to 555

1525

**build yours →**

# Renault care service

**Replace what is necessary, at the right time. Thanks to its connected and predictive maintenance features, it is easy to service your all new Renault Austral E-Tech full hybrid. And thanks to the My Renault application, quotes, online appointments and even service history are at your fingertips.**



**[find out more about Renault care service](#)**



Every precaution has been taken to ensure that the contents of this brochure were accurate and up to date at the time of release. This document has been created using pre-production and prototype models. In line with its policy of continuous product improvement, Renault reserves the right to modify the specifications, vehicles and accessories described and featured at any time. Any such modifications are communicated to Renault dealers as quickly as possible. Depending on the country of sale, versions may differ and some equipment may be unavailable (standard, optional or accessories). Please contact your nearest dealer for the latest information. Due to the limitations of the medium, the colours featured in this document may differ slightly from those of the actual paintwork or interior trim. All rights reserved. Reproduction in any format and by any means of all or part of this brochure is prohibited without prior written authorisation from Renault.

Publicis – photo credits: C. Violet, F. Schlosser, S. Staub, © Renault Marketing 3D-Commerce, Pagécran – April 2023.  
Renault s.a.s., a société par actions simplifiée (French simplified joint-stock company) with a share capital of €533,941,113 and head office at 122-122 bis avenue du Général Leclerc – 92100 Boulogne-Billancourt cedex – R.C.S. Nanterre B 780 129 987/ Tel.: 0806 00 20 20.

Renault recommends 



**build yours →**